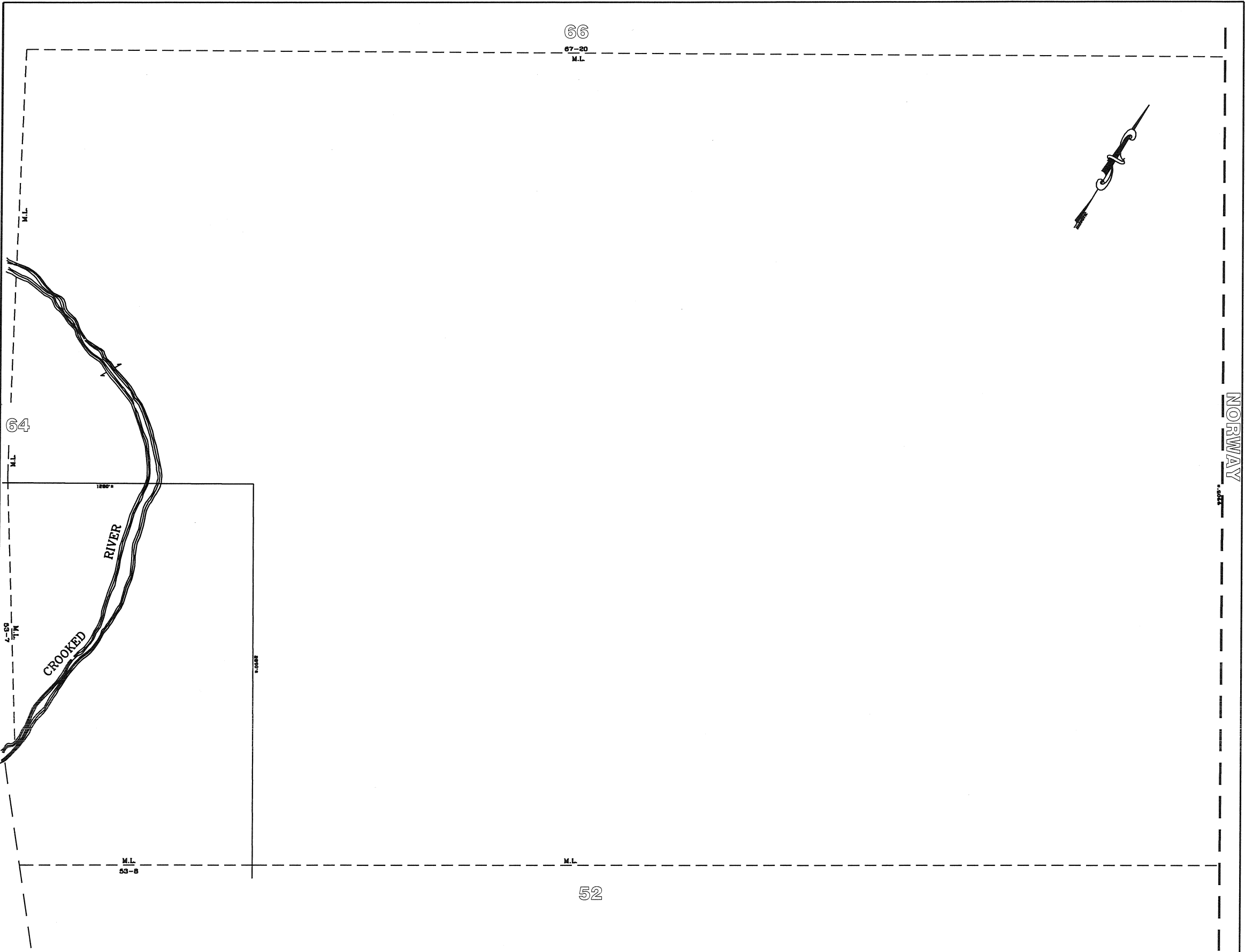


F:\Land Projects 3\109005\dwg\65.dwg 4/16/2009 4:06:46 PM EDT



NORWAY

PREPARED BY PHOTOGRAMMETRIC METHODS BY
JOHN E O'DONNELL & ASSOCIATES
AUBURN, MAINE

1974

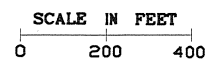
LEGEND

ADJACENT SHEET NO.	12
COMMON OWNERSHIP	OR ✓
DEVELOPMENT LOT NO.	Ⓢ
SCALED DIMENSION	±

PROPERTY MAP
WATERFORD
MAINE

UPDATED TO APRIL 1, ____

BY:
MAINE SURVEY
CONSULTANTS, INC.
FOR ASSESSMENT PURPOSES ONLY
NOT FOR PROPERTY CONVEYANCES



65